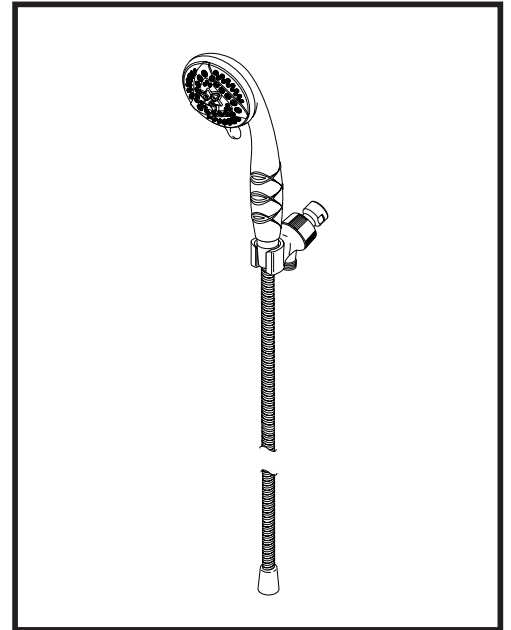
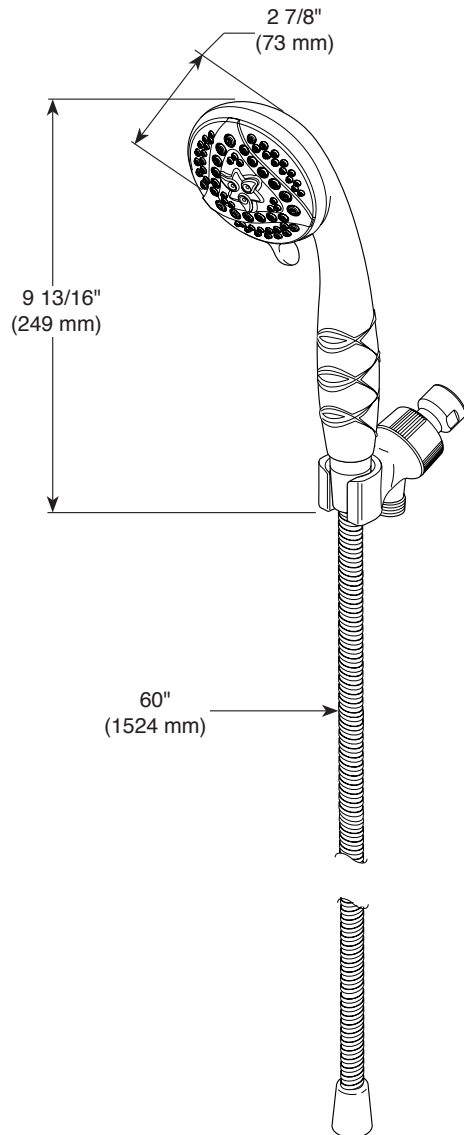


PEERLESS®

76515C▲



HAND HELD SHOWERS

■ 5-Spray Setting Hand Shower

FEATURES:

- Touch-Clean® Nozzles

STANDARD SPECIFICATIONS:

- Maximum 1.75 gpm @ 80 psi, 6.6 L/min @ 550 kPa
- Hand held shower with five spray settings - not a positive shut-off
- 60" (1524 mm) Ultra Flex hose
- Model includes shower arm mount
- Adjustable shower arm mounting for hands-free showering
- Easy-turn spray dial

WARRANTY:

- Lifetime limited warranty on parts (other than electronic parts and batteries) and finishes; or, for commercial users, for 5 years from the date of purchase.
- 5 year limited warranty on electronic parts (other than batteries); or for commercial users, for 1 year from the date of purchase. No warranty is provided on batteries.



COMPLIES WITH

- ASME A112.18.1 / CSA B125.1
- EPA WaterSense®

▲ Designate proper finish suffix

PSP-B-76515C Rev. B